

MODULAR KITCHEN

HOTEL AND BUFFET SOLUTIONS CONCEPT



WHO WE ARE

Modular Kitchen creates mobile kitchen modules that are fully customizable and equipped with state-of-the-art professional appliances. These modules can be configured and combined at will, making them particularly appreciated by hotels for setting up buffets. Thanks to their versatility and ease of transport, they can be used both indoors and outdoors, providing practical and functional solutions for every need in the catering sector.

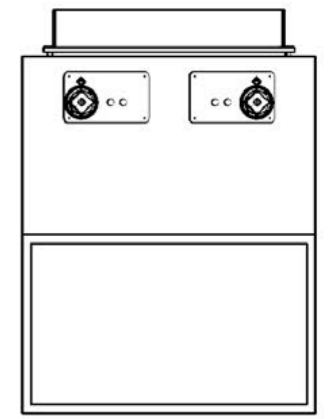
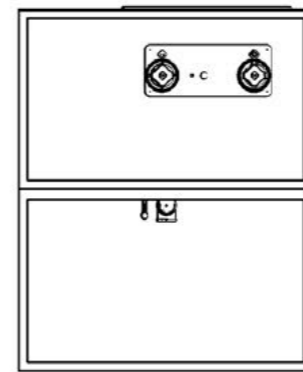
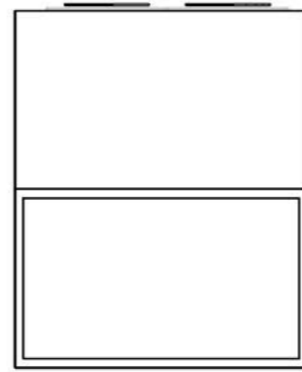
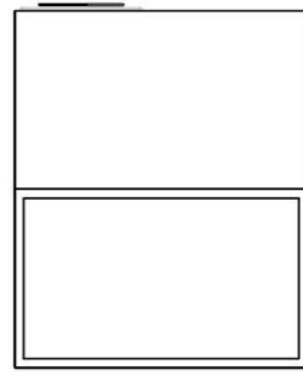
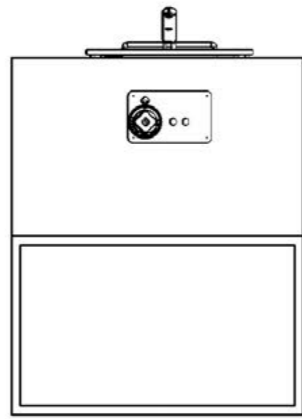
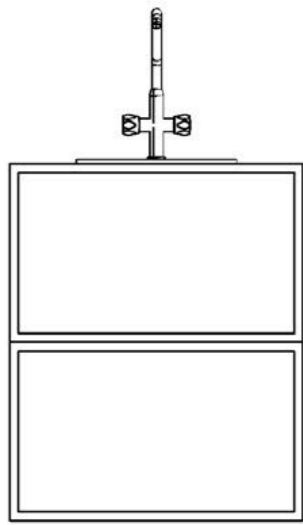
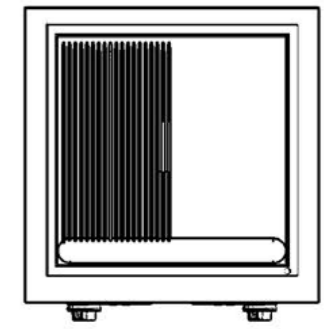
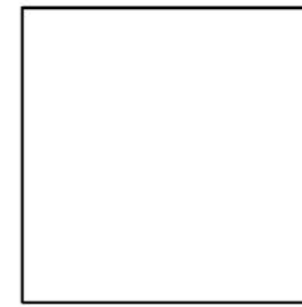
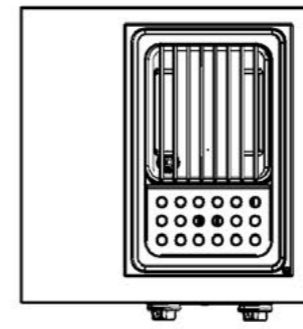
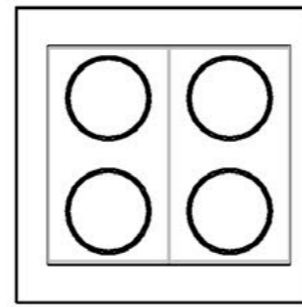
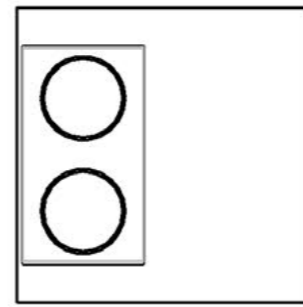
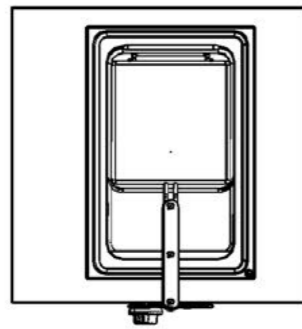
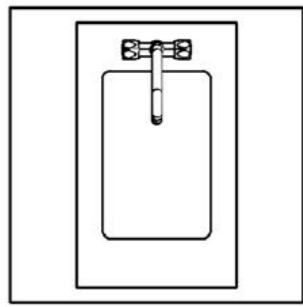


MODULAR KITCHENS

Modular Kitchen's modular kitchens represent an extremely flexible solution, perfect for addressing various operational needs, especially in hotels and catering services. Ideal for buffets, events, or banquets, these mobile kitchens can be easily relocated and reassembled according to the location. Whether it's a garden, a terrace, or a conference room, Modular Kitchen kitchens adapt to any context, offering a versatile and ready-to-use solution.



OUR COLLECTION



Sink

Pasta cooker

2-burner induction
cooktop

4-burner induction
cooktop

Fryer

Neutral worktop

Hot plate

MATERIAL: Stainless steel



DURABILITY AND QUALITY

Modular Kitchen modules are primarily made of high-quality stainless steel, a material chosen for its exceptional strength and long-lasting durability. This guarantees high performance in professional settings, along with remarkable resistance to challenging conditions. Additionally, stainless steel is an eco-friendly and sustainable choice, ensuring durability and a reduced environmental impact.

BUFFET EXPERIENCE

Our modular production for your buffet
customized and all made of stainless.
Bring your experience to a higher level.





VERSATILITY

Modular Kitchen modules are designed to offer exceptional versatility, allowing them to be easily moved and configured according to needs. Perfect for hotels and catering services, these modules can transform any environment, whether indoors or outdoors, into an efficient and welcoming space. With the ability to equip them with a wide range of professional tools, Modular Kitchen offers tailor-made solutions for outdoor buffets, formal events, and every culinary requirement, ensuring maximum customization.



GAS OR CHARCOL BARBECUE

